

- 1
- 2
- 3
- 4
- 5
- 6
- 7
- 8
- 9
- 10
- 11
- 12
- 13
- 14
- 15
- 16
- 17
- 18

**MATERIAL**

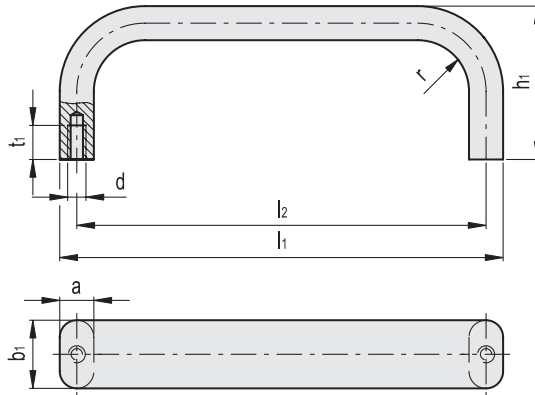
Flat oval cross section bar in aluminium.

**STANDARD EXECUTIONS**

- **GN 668-A:** threaded blind holes for back mounting.
- **GN 668-B:** adapter in polyamide-based (PA) technopolymer, black colour, matte finish, pass-through holes for front mounting (for M5 screws).

Surface finish index:

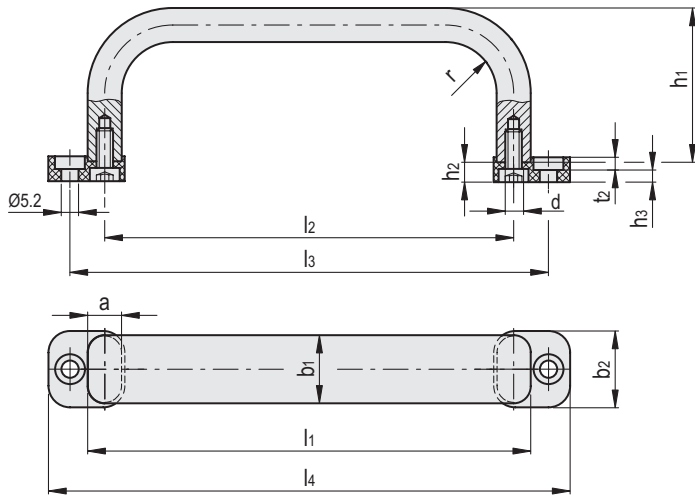
- **BL:** natural aluminium.
- **SR:** epoxy resin coating, RAL 9006 silver colour, matte finish.
- **SW:** epoxy resin coating, RAL 9005 black colour, matte finish.



Conversion Table	
1 mm = 0.039 inch	
mm	inch
120	4.68
160	6.24
180	7.02
200	7.80
250	9.75
300	11.70
350	13.65
400	15.60

**GN 668-A**

Code	Description	b1	d	l2	l1±0.25	a	h1	r	t1 min	Δ
GN.27521	GN 668-20-130-A-BL	20	M5	120	130	10	45	15	10	89
GN.27531	GN 668-20-170-A-BL	20	M5	160	170	10	45	15	10	111
GN.27536	GN 668-20-190-A-BL	20	M5	180	190	10	45	15	10	120
GN.27541	GN 668-20-210-A-BL	20	M5	200	210	10	45	15	10	125
GN.27551	GN 668-30-262-A-BL	30	M6	250	262	12	50	15	12	289
GN.27556	GN 668-30-312-A-BL	30	M6	300	312	12	50	15	12	334
GN.27561	GN 668-30-362-A-BL	30	M6	350	362	12	50	15	12	380
GN.27566	GN 668-30-412-A-BL	30	M6	400	412	12	50	15	12	425
GN.27520	GN 668-20-130-A-SR	20	M5	120	130	10	45	15	10	89
GN.27529	GN 668-20-170-A-SR	20	M5	160	170	10	45	15	10	111
GN.27535	GN 668-20-190-A-SR	20	M5	180	190	10	45	15	10	120
GN.27543	GN 668-20-210-A-SR	20	M5	200	210	10	45	15	10	125
GN.27553	GN 668-30-262-A-SR	30	M6	250	262	12	50	15	12	289
GN.27559	GN 668-30-312-A-SR	30	M6	300	312	12	50	15	12	334
GN.27563	GN 668-30-362-A-SR	30	M6	350	362	12	50	15	12	380
GN.27568	GN 668-30-412-A-SR	30	M6	400	412	12	50	15	12	425
GN.27522	GN 668-20-130-A-SW	20	M5	120	130	10	45	15	10	89
GN.27532	GN 668-20-170-A-SW	20	M5	160	170	10	45	15	10	111
GN.27537	GN 668-20-190-A-SW	20	M5	180	190	10	45	15	10	120
GN.27542	GN 668-20-210-A-SW	20	M5	200	210	10	45	15	10	125
GN.27552	GN 668-30-262-A-SW	30	M6	250	262	12	50	15	12	289
GN.27557	GN 668-30-312-A-SW	30	M6	300	312	12	50	15	12	334
GN.27562	GN 668-30-362-A-SW	30	M6	350	362	12	50	15	12	380
GN.27567	GN 668-30-412-A-SW	30	M6	400	412	12	50	15	12	425



**Conversion Table**  
1 mm = 0.039 inch

l2	
mm	inch
120	4.68
160	6.24
180	7.02
200	7.80

GN 668-B

**METRIC**

Code	Description	b1	d	l2	l3	l1±0.25	b2	a	h1	h2	h3	l4	r	t2	⚖
GN.27525	GN 668-20-130-B-BL	20	M5	120	141	130	23	10	45	6.5	2	153	15	5.5	100
GN.27530	GN 668-20-170-B-BL	20	M5	160	181	170	23	10	45	6.5	2	193	15	5.5	120
GN.27538	GN 668-20-190-B-BL	20	M5	180	201	190	23	10	45	6.5	2	213	15	5.5	130
GN.27544	GN 668-20-210-B-BL	20	M5	200	221	210	23	10	45	6.5	2	233	15	5.5	136
GN.27526	GN 668-20-130-B-SR	20	M5	120	141	130	23	10	45	6.5	2	153	15	5.5	100
GN.27533	GN 668-20-170-B-SR	20	M5	160	181	170	23	10	45	6.5	2	193	15	5.5	120
GN.27539	GN 668-20-190-B-SR	20	M5	180	201	190	23	10	45	6.5	2	213	15	5.5	130
GN.27545	GN 668-20-210-B-SR	20	M5	200	221	210	23	10	45	6.5	2	233	15	5.5	136
GN.27527	GN 668-20-130-B-SW	20	M5	120	141	130	23	10	45	6.5	2	153	15	5.5	100
GN.27534	GN 668-20-170-B-SW	20	M5	160	181	170	23	10	45	6.5	2	193	15	5.5	120
GN.27540	GN 668-20-190-B-SW	20	M5	180	201	190	23	10	45	6.5	2	213	15	5.5	130
GN.27546	GN 668-20-210-B-SW	20	M5	200	221	210	23	10	45	6.5	2	233	15	5.5	136